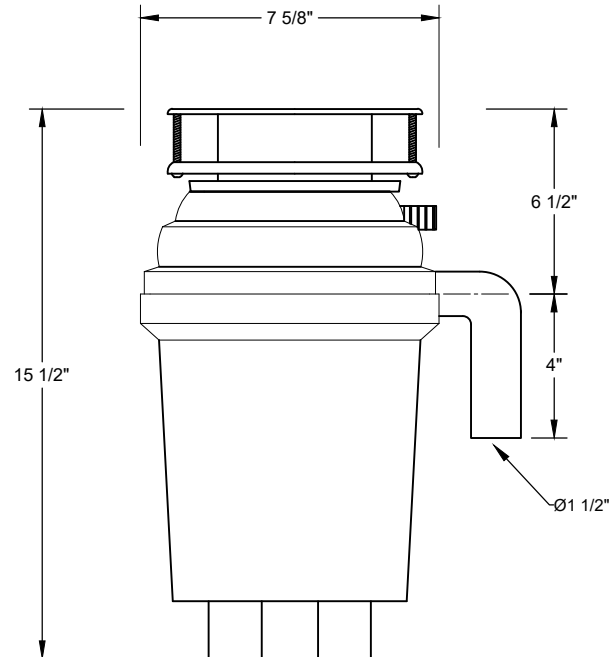


MT666-3CFWD3B

PERFECT GRIND®

CONTINUOUS FEED 3/4 HP
FOOD WASTE DISPOSER



This model offers the following features:

- Permanent Magnet High RPM Means High Torque and Less Jams
- Bio-guard Antimicrobial Protection
- Removable Splash Guard
- Stainless Steel Turntable and Grind Rings (Compared to Competitor's Cold-Rolled or Galvanized Steel)
- Factory Installed Power Cord with Plug
- Safe for Properly Sized Septic Tanks
- 3-Bolt Mounting System

WARRANTY

THE 3/4 HP MOUNTAIN PERFECT GRIND WASTE DISPOSER COMES WITH A 10 YEAR LIMITED REPLACEMENT WARRANTY.



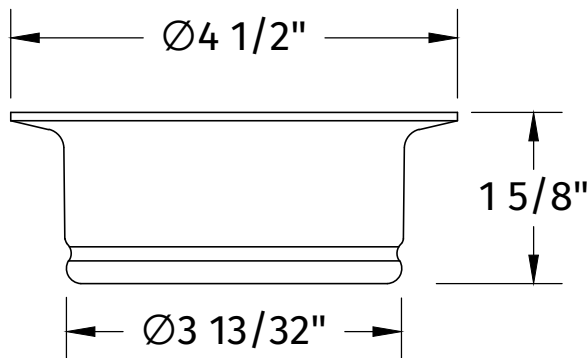
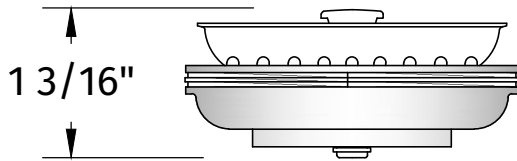
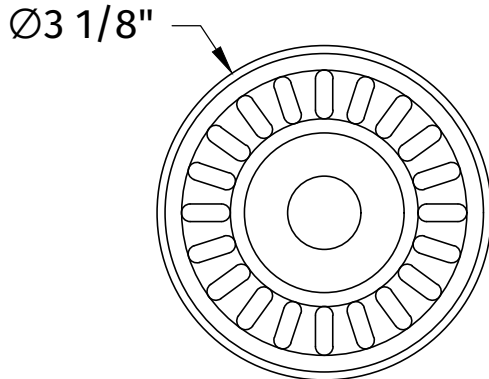
SPECIFICATIONS

HP	3/4
Motor Type	Permanent Magnet
Feed	Continuous
Volts	110V
Frequency	50/60Hz
Motor Speed	2500RPM
Hopper Capacity	29oz
Balance Level	G0.4
Turntable	Stainless Steel
Grind Rings	Stainless Steel
Sink Flange	Stainless Steel
Basket Strainer	Stainless Steel
Drain Elbow	ABS
Bearings	Permanently Lubricated, Sleeve Type
Manual Reset Protector	Protection for Overload and Temp.
Shipping Weight	13.5lbs
Pallet Quantity	64pcs

MT200EV

WASTE DISPOSER TRIM WITH STOPPER / STRAINER

SPECIFICATION SHEET



- INTENDED FOR CONTINUOUS FEED 3-BOLT MOUNT DISPOSERS WITH 3 3/8" I.D.
- WILL FIT A SINK UP TO 5/8" THICK
- COMPATIBLE WITH THE FOLLOWING DISPOSERS:
 - MOUNTAIN PLUMBING PERFECT GRIND® 3-BOLT MOUNT
 - INSINKERATOR (ISE) OLD & NEW MODELS
 - FRANKE 3-BOLT MOUNT
 - KENMORE
 - WHIRLPOOL
 - KITCHENAID
 - MOEN

WARRANTY

FOR WARRANTY INFO PLEASE VISIT WWW.MOUNTAINPLUMBING.COM/PAGE/RESOURCES/WARRANTY

FINISH CARE & MAINTENANCE

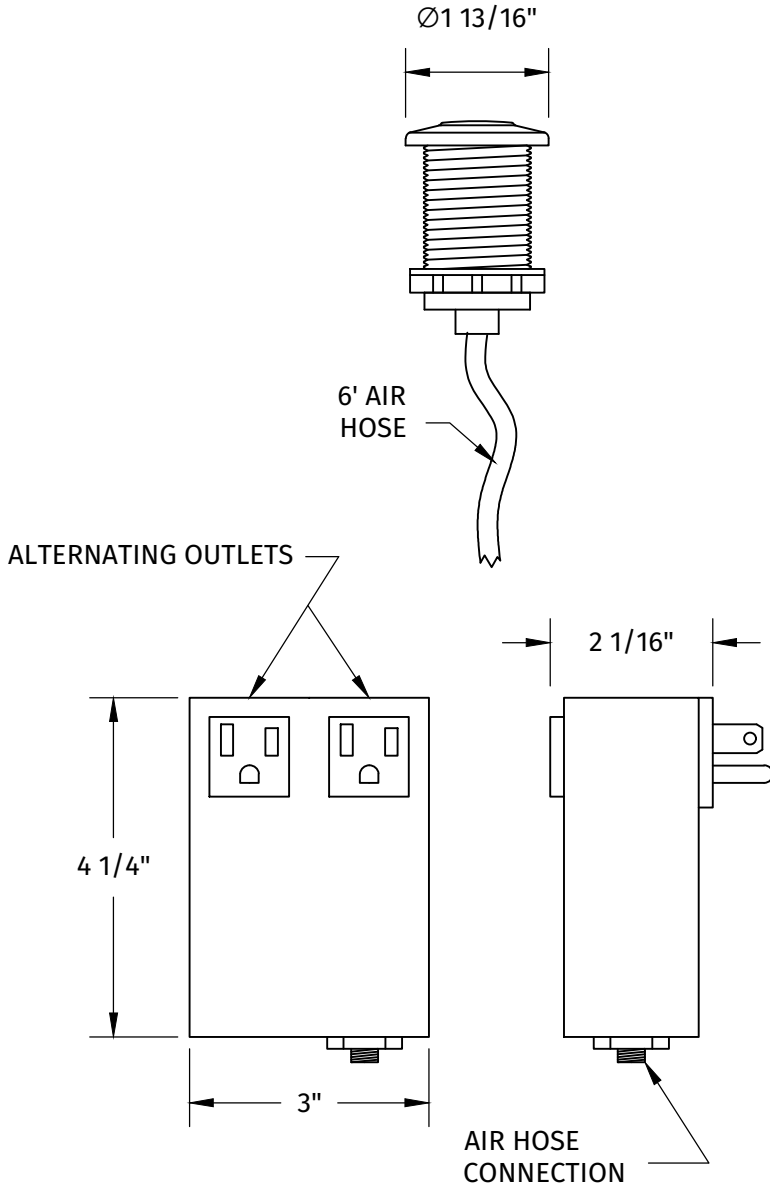
NEVER USE ANY HARSH ALKALI, ACID BASED DETERGENTS OR CLEANERS SUCH AS SOFT SCRUB®, SCRUBBING BUBBLES® OR COMET® TO CLEAN. DO NOT USE BRILLO® AND SCOTCH BRITE® PADS. THESE WILL ALL HARM THE FINISH. TO CLEAN, USE ONLY A DAMP SOFT CLOTH AND WIPE USING A SOFT CLOTH. STANDARD WINDEX® CAN ALSO BE USED SPARINGLY. IT IS NOT NECESSARY TO WIPE HARD TO REMOVE SPOTS. TO MAINTAIN THE FINISH, WIPE WITH A SOFT DRY CLOTH AFTER USE. AN OCCASIONAL COAT OF PURE CARNAUBA WAX WITHOUT CLEANERS WILL HELP PROTECT THE FINISH.

SPECIFICATIONS SUBJECT TO CHANGE WITHOUT NOTICE

MT951

ROUND "CLASSIC TOUCH" WASTE DISPOSER AIR SWITCH

SPECIFICATION SHEET



- REQUIRES $\varnothing 1 \frac{3}{8}$ " MOUNTING HOLE
- WILL FIT UP TO $1 \frac{1}{2}$ " THICK DECK (FOR THICKER DECKS, THE BUTTON CAN BE INSTALLED WITHOUT THE MOUNTING NUT BY APPLYING 100% SILICONE BENEATH THE FLANGE)
- UL LISTED
- AIR ACTUATED
- BOX MOUNTING HARDWARE NOT INCLUDED

WARRANTY

FOR WARRANTY INFO PLEASE VISIT WWW.MOUNTAINPLUMBING.COM/PAGE/RESOURCES/WARRANTY

FINISH CARE & MAINTENANCE

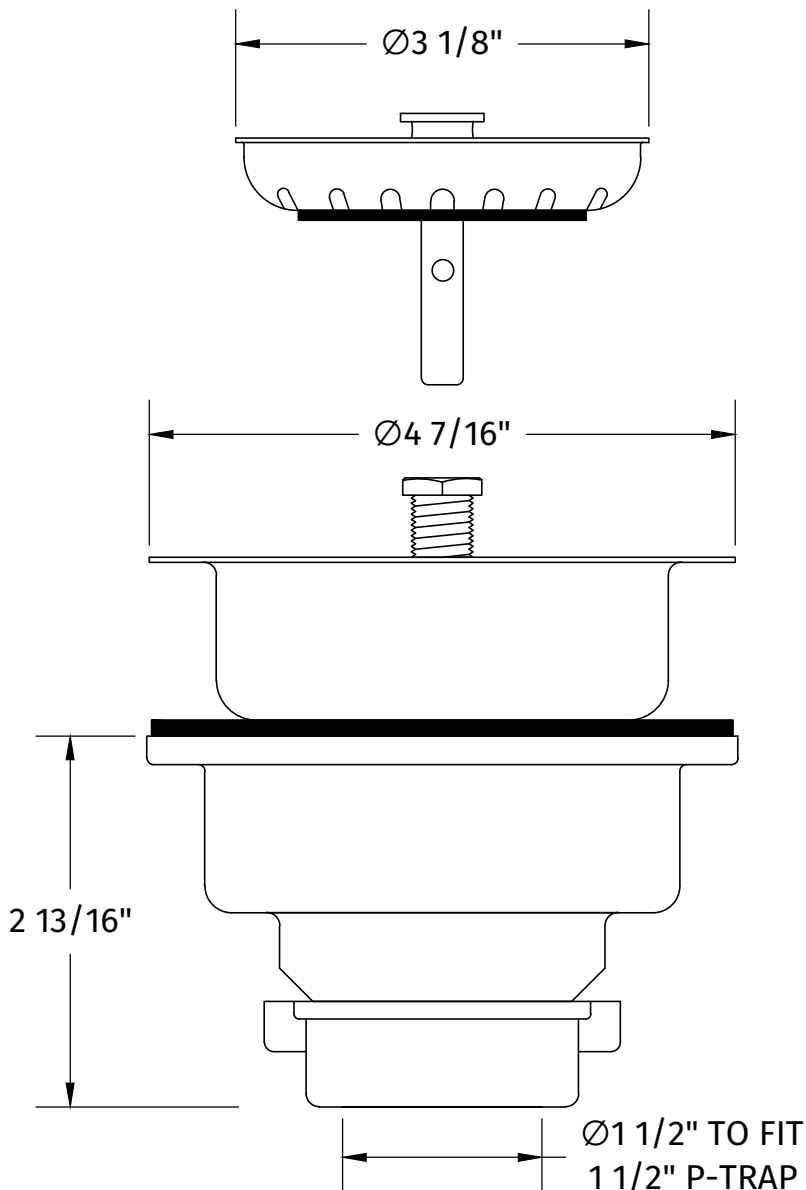
NEVER USE ANY HARSH ALKALI, ACID BASED DETERGENTS OR CLEANERS SUCH AS SOFT SCRUB®, SCRUBBING BUBBLES® OR COMET® TO CLEAN. DO NOT USE BRILLO® AND SCOTCH BRITE® PADS. THESE WILL ALL HARM THE FINISH. TO CLEAN, USE ONLY A DAMP SOFT CLOTH AND WIPE USING A SOFT CLOTH. STANDARD WINDEX® CAN ALSO BE USED SPARINGLY. IT IS NOT NECESSARY TO WIPE HARD TO REMOVE SPOTS. TO MAINTAIN THE FINISH, WIPE WITH A SOFT DRY CLOTH AFTER USE. AN OCCASIONAL COAT OF PURE CARNAUBA WAX WITHOUT CLEANERS WILL HELP PROTECT THE FINISH.

SPECIFICATIONS SUBJECT TO CHANGE WITHOUT NOTICE

MT300

3-1/2" DELUXE STEMBALL KITCHEN SINK STRAINER

SPECIFICATION SHEET



- WILL FIT STANDARD $\text{Ø}3\ 1/2$ " DRAIN OPENING
- BRASS OR STAINLESS STEEL FLANGE DEPENDING ON FINISH
- POLYPROPYLENE STRAINER BODY WON'T CORRODE
- SPRING-LOADED STAINLESS STEEL POST ALLOWS FOR SMOOTH OPERATION
- FITS SINKS UP TO $1\text{-}3/16$ " THICK (FOR THICKER SINKS, ORDER BRBOLT/90 TO ALLOW UP TO $2\ 3/4$ " THICKNESS)

WARRANTY

FOR WARRANTY INFO PLEASE VISIT WWW.MOUNTAINPLUMBING.COM/PAGE/RESOURCES/WARRANTY

FINISH CARE & MAINTENANCE

NEVER USE ANY HARSH ALKALI, ACID BASED DETERGENTS OR CLEANERS SUCH AS SOFT SCRUB®, SCRUBBING BUBBLES® OR COMET® TO CLEAN. DO NOT USE BRILLO® AND SCOTCH BRITE® PADS. THESE WILL ALL HARM THE FINISH. TO CLEAN, USE ONLY A DAMP SOFT CLOTH AND WIPE USING A SOFT CLOTH. STANDARD WINDEX® CAN ALSO BE USED SPARINGLY. IT IS NOT NECESSARY TO WIPE HARD TO REMOVE SPOTS. TO MAINTAIN THE FINISH, WIPE WITH A SOFT DRY CLOTH AFTER USE. AN OCCASIONAL COAT OF PURE CARNAUBA WAX WITHOUT CLEANERS WILL HELP PROTECT THE FINISH.

SPECIFICATIONS SUBJECT TO CHANGE WITHOUT NOTICE